

# NEW PRODUCT RELEASE

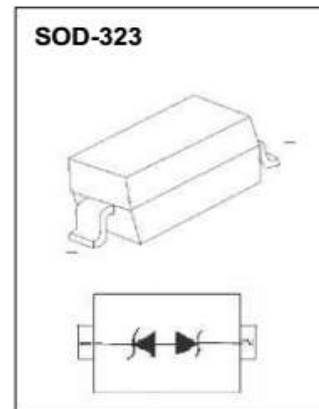


## ESD PROTECTION DIODE

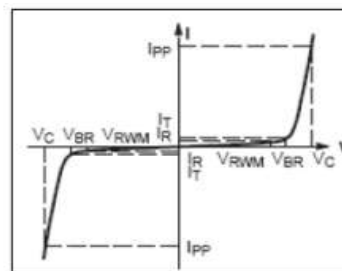
New from Rectron - the SD05C-T-RL1 bi-directional ESD diode designed to protect voltage sensitive components from electro-static discharge and other transients

Boasting excellent clamping capability, low leakage, low capacitance, and fast response time the SD05C-T-RL1 offers best in class protection

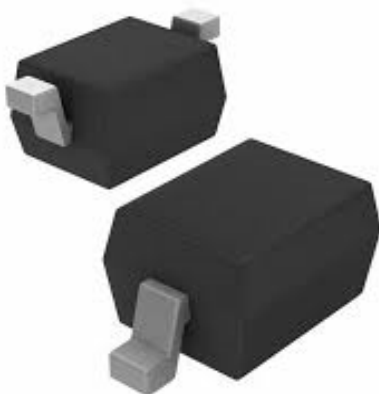
The combination of small size, low capacitance, and high level ESD protection makes SD05C-T-RL1 a flexible solution for a wide range of applications



Symbol	Parameter
$V_C$	Clamping Voltage @ $I_{PP}$
$I_{PP}$	Peak Pulse Current
$V_{BR}$	Breakdown Voltage @ $I_T$
$I_T$	Test Current
$I_R$	Reverse Leakage Current @ $V_{RWM}$
$V_{RWM}$	Reverse Standoff Voltage



V-I characteristics for a Bi-directional TVS



SD05C-T-RL1 is designed to replace multilayer varistors in consumer equipment applications such as LED driver, mobile phone, notebook, tablet

Other applications include high speed data lines, USB Interface, and Ethernet - 10/100/1000 Base T

- 1.7mm x 1.3mm x 1.0mm package
- JESD22-A114-B ESD rating class 3B per HBM (Human Body Model)
- IEC 61000-4-2 Level 4 ESD protection